

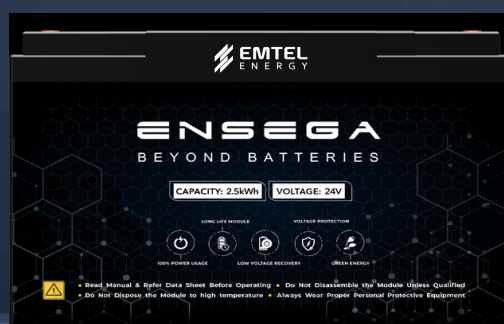
# TECHNICAL DATA SHEET

# ENSEGA

BEYOND BATTERIES

2.5KWH-24V Module

Manufactured by



ENS-2.5k-24-0.5C-X-X-X-X-1V0-GEN1

## EFFICIENT

- Highly Efficient: > 95% RTE (Round Trip Efficiency)
- 100% DOD (Depth of Discharge)
- 500,000 Cell Life Cycles

## SAFE & RELIABLE

- Wider operating temperature range
- Deployable in Various Environments including High Altitudes
- No thermal runaway risk

ADVANCED  
ENERGY  
STORAGE

## Performance Specifications

DC Energy	2.5kWh
Voltage Range	22Vdc to 29Vdc
DC Voltage (Nominal)	24Vdc
Internal Resistance	<4 mΩ

## Cell Specifications

Technology	Encapsulated Cell
Nominal Cell Voltage	6.4~6.6Vdc / Cell (Encapsulated) 1/2 + 0.12V Envelope

## Charge Characteristics

Maximum Continuous Charge Current	50A (0.5C)
Charging Method	CC/CP/VP

## Discharge Specifications

Maximum Continuous Discharge Current	50A (0.5C)
Discharging Method	CC/CP/VP

## Module Environmental Specifications

Operating Temperature Range	-20°C~ +55°C
Operating Humidity	Non-Condensing



Front View



Back View



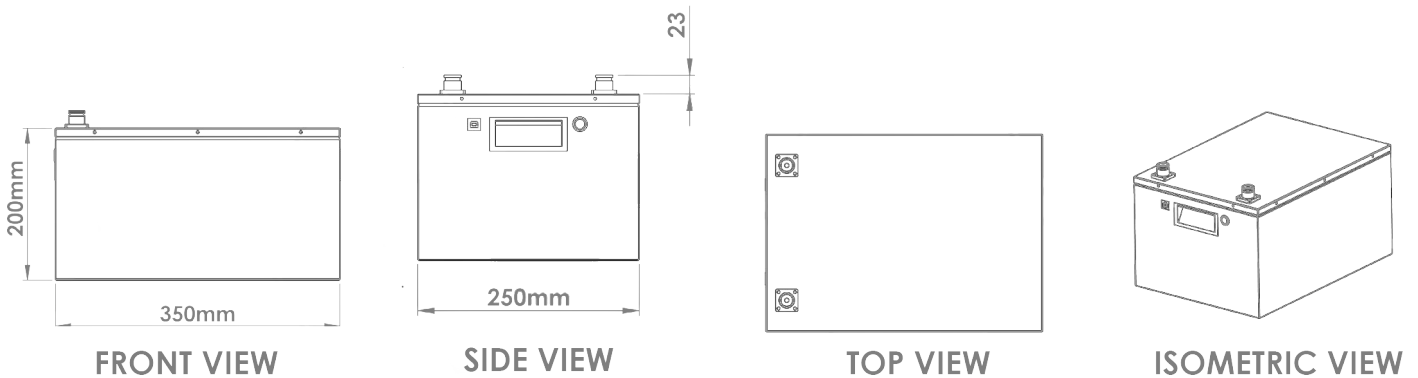
Isometric View



Top View

## Mechanical Specifications

<b>Dimensions<sup>1</sup> (W x H x D) mm</b>	350 x 200 x 250
<b>Weight (kg)</b>	20
<b>Module Casing Material</b>	GI Powdered
<b>Terminal Type</b>	150A Terminal Post



## Smart Features (With ENCONTROL<sup>2</sup>)

<b>Alarm<sup>2</sup></b>	Warning alarm in the event of Over/under-Voltage, Over-Current, Over Temperature
<b>OLED Display<sup>2</sup></b>	Monitoring Total Voltage, Individual Cell Voltages, Current, Temperatures, SOC and Energy Consumed
<b>Communication<sup>2</sup></b>	WIFI / Bluetooth

## Safety Performance

<b>Short Circuit Protection</b>	Electronic Switching, Terminal Cut-off
<b>Over/under Voltage</b>	Electronic Switching, Terminal Cut-off
<b>Over Current</b>	Electronic Switching, Terminal Cut-off
<b>Over Temperature</b>	Electronic Switching, Terminal Cut-off

## Module Service Life

<b>Cells Projected Cycle Life<sup>3</sup></b>	500,000 Cycles
<b>Cells Projected Calendar Life<sup>4</sup></b>	25 Years
<b>Module Projected Shelf Life<sup>5</sup></b>	10 Years
<b>Warehousing</b>	Can be stored at any SOC without affecting cycle life

## Precautions

<b>Alarm<sup>2</sup></b>	In case of alarm, immediately rectify/attend to the cause of the alarm.
<b>Physical Damage</b>	In case the module is physically damaged due to any event, do not install and energize the module under any circumstances and contact your re-seller.
<b>Short Circuit</b>	Ensure precautions to prevent short-circuit under all circumstances.
<b>Galvanic isolation</b>	When connecting to external devices ensure that galvanic isolation does not exceed 1000V.
<b>Parallel Connection</b>	All modules must be at 100% SOC before connecting in parallel. There is no limit on the number modules that can be connected in parallel.
<b>Series - Parallel Connection</b>	Modules cannot be connected in series - parallel combination under any circumstance.

<sup>1</sup>Product Dimensions are for reference only and may change without notice.

<sup>2</sup>The ENCONTROL tool is an OLED display designed for Module monitoring. Please note, SMART FEATURES are not part of this tModule and require separate purchase of ENCONTROL tool.

<sup>3</sup>Projected Life of encapsulated cells.

<sup>4</sup>Projected Calendar Life of encapsulated cells from the date of first operation.

<sup>5</sup>Shelf Life is the Life of the Module (in years) from the date it is manufactured to the time it is first operated.

- Additional terms and conditions, including a limited warranty, will apply at the time of purchase.
- For critical applications, please contact your Reseller or After Sales Support.